

Continental[®]

BATTERIES

DATA SHEET

L2/H5/47-CS



PART # L2/H5/47-CS
 BCI L2
 VOLTAGE 12V
 Ah 55

PHYSICAL SPECIFICATIONS

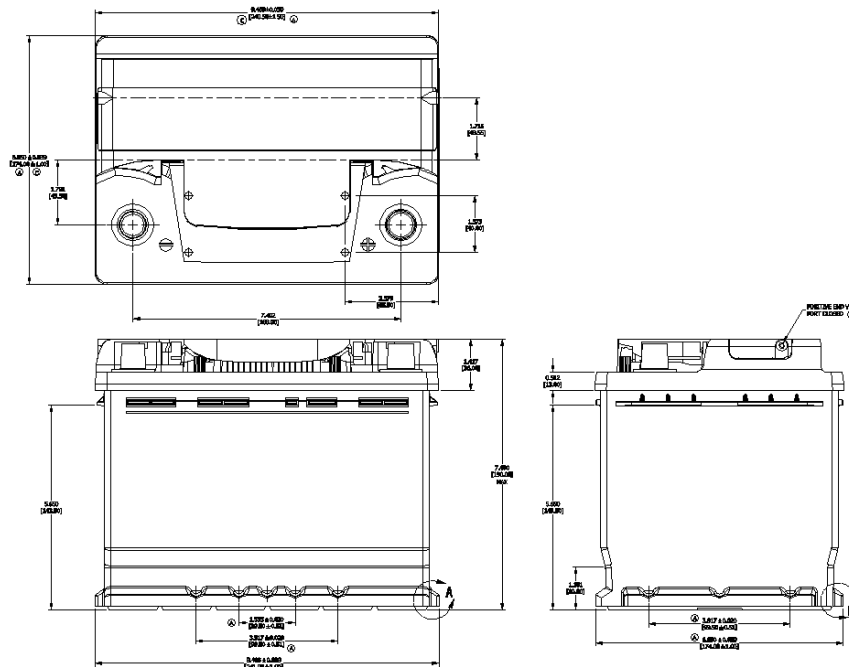
Battery Type	Weight	Dimensions (L x W x H)	Container Material	Cover Material	Separator Material	Handle Option
Flooded	33.12 lbs 15 kgs	9.49 x 6.85 x 7.48" 241 x 174 x 190 mm	Polypropylene	Polypropylene	Polyethylene	Yes

ELECTRICAL SPECIFICATIONS

Nominal Voltage	SAE CCA (-18°C/0°F)	SAE CA (0°C/32°F)	SAE RC (27°C/80°F)	Ref. Ah Capacity 20 Hr	Battery Terminal Type	Electrolyte Specific Gravity Range
12.6 V	600 A	750 A	90 Min	55 Ah	Top Post SAE Type A	1.270-1.300

MISC SPECIFICATIONS

Maximum Discharge Current	1000 A (5 sec)
Positive Grid Alloy	Lead Calcium Tin
Negative Grid Alloy	Lead Calcium
Terminal Polarity	- +



WWW.GOCBS.COM

